



• ED6025 Series.

DC Brushless fan.
Size: 60 x 60x 25 mm
2.4 x 1 Inches.
Airflow: Max. 38 CFM /1.1 m3/min
Plastic Impeller / Plastic Frame.

Model No.	Rated Voltage VDC	Voltage Range VDC	Input Power Watt	Rated Current Amp	Ref Speed RPM	Max. Airflow CFM	m3/min	Max. Static Pressure Inch/H2O	mm/H2O	Noise Level dB (A)	PQ Curves
ED6025-05HH)	5	4~6	1.2	0.24(~0.32)	3600	25	0.7	0.22	5.59	30	HH
ED6025-05H	5	4~7	1.2	0.24	3200	20	0.6	0.17	4.32	26	H
ED6025-05M	5	4~7	0.9	0.17	2800	15	0.4	0.14	3.56	21	M
ED6025-05L	5	4~7	0.6	0.12	2000	12	0.3	0.10	2.54	18	L
ED6025-12HHH	12	8~13.6	1.8	0.15(~0.29)	5500	38	1.1	0.26	6.6	38	HHH
ED6025-12HH	12	8~13.6	1.8	0.15(~0.21)	4400	32	0.9	0.24	6.1	32	HH
ED6025-12H	12	8~13.6	1.8	0.15	4000	25	0.7	0.22	5.59	30	H
ED6025-12M	12	8~14	1.5	0.12	3200	17	0.5	0.16	4.06	25	M
ED6025-12L	12	8~14	1	0.08	2500	14	0.4	0.14	3.56	20	L
ED6025-24HHH	24	12~27.6	2.8	0.12(~0.18)	5500	38	1.1	0.26	6.6	38	HHH
ED6025-24HH	24	12~27.6	2.8	0.12(~0.15)	4400	32	0.9	0.24	6.1	32	HH
ED6025-24H	24	12~27.6	2.8	0.12	4000	25	0.7	0.22	5.59	30	H
ED6025-24M	24	12~27.6	2.2	0.09	3000	17	0.5	0.16	4.06	25	M
ED6025-24L	24	12~28	1.5	0.06	2500	14	0.4	0.14	3.56	20	L
ED6025-48HHH	48	24~53	3.4	0.07(~0.11)	5500	37	1	0.26	6.6	38	HHH
ED6025-48HH	48	24~55	3.4	0.07(~0.1)	4400	32	0.9	0.24	6.1	32	HH
ED6025-48H	48	24~56	3.4	0.07	4200	28	0.8	0.23	5.84	30	H

** = "BL" for wire lead type Ball bearing Type.

-We reserve the right to change data and improve electrical & mechanical design without notice. data tolerance +-10%

Motor

Motor Type: Brushless DC Motor, auto cutoff, auto restart optional only
 Burnout Protection: Electronically protected, polarity protected
 IP Protection: Ratings on request

Mechanical

Frame: Glass fiber reinforced thermoplastic, rated UL94V-0
 Impeller: 7 blades, glass fiber reinforced plastic, rated UL94V-0
 Bearing: Two ball bearings
 Rotation: CCW seen on rotor
 Connection: Wire lead
 Weight: 60 g (0.132 Lbs)

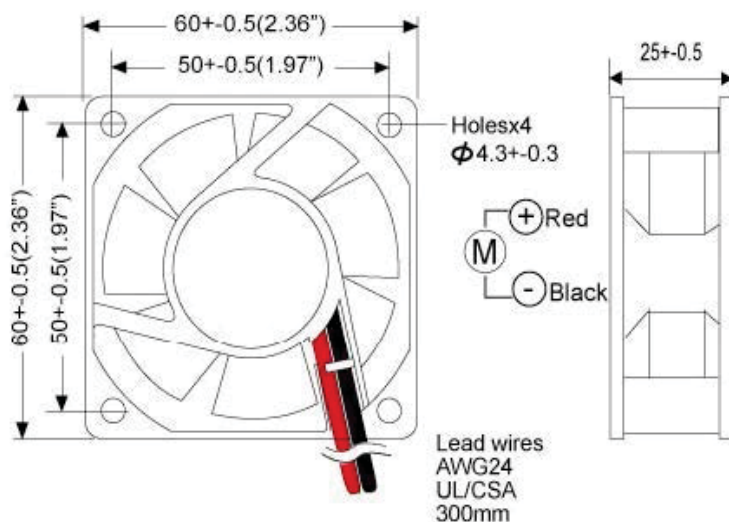
Electrical

Dielectric Strength: 500 VAC/min. Max leakage 500mA
 Speed Control: Optional:PWM, S/C NTC thermister on request
 Signal Output: Optional:R/D alarm output, tachometer output F/G

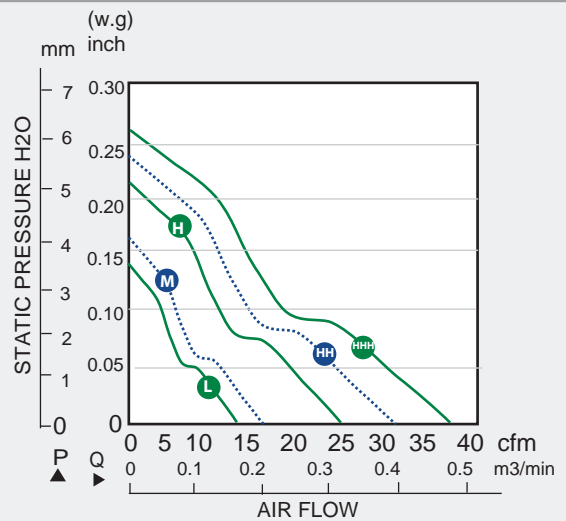
Environment

Operating Temp: Ambient non-condensing -15°C~+65°C
 Storage Temp: -25°C~+80°C (at 65%RH)
 Life Expectancy: L10 60K hours at 45°C, 45K hours at 65°C

▶ Outline Dimensions.



▶ Performance P-Q Curves.



Fan Accessories

